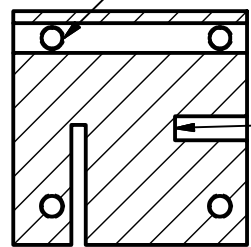


2

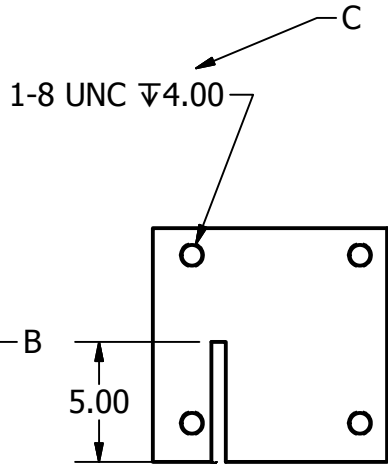
1

B

B

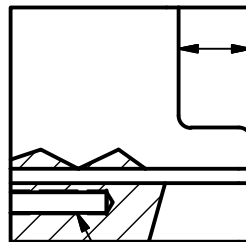
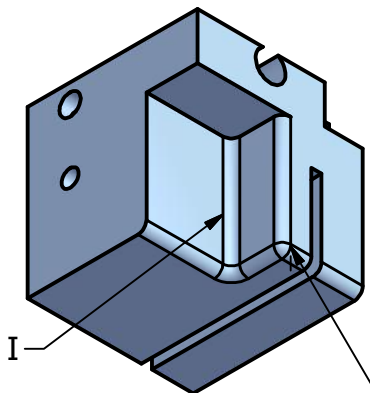
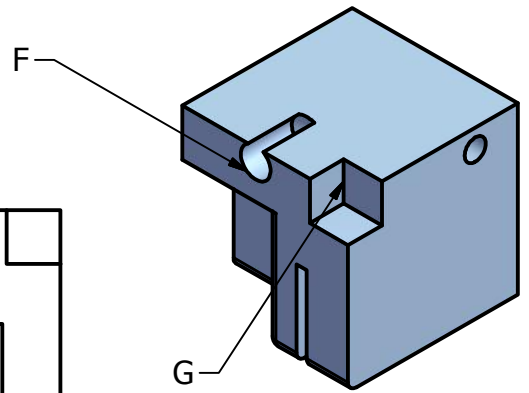
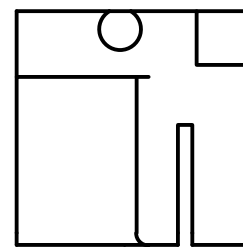
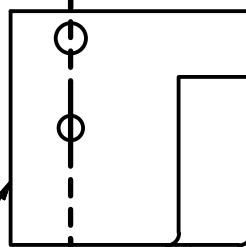


SECTION A-A
SCALE 1/8

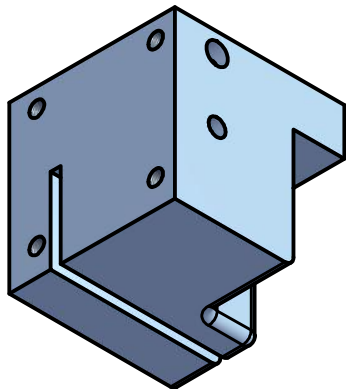


\square .001

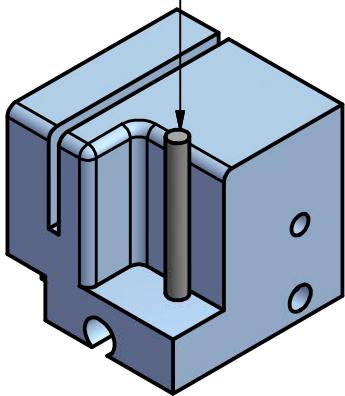
E



3.0000
J



Milling Cutter



VIEW12
SCALE 1 : 8

DRAWN LOREN	1/15/2011
CHECKED	
QA	
MFG	
APPROVED	

.X ±.02"
.XX ±.010"
.XXX ±.005"
Angular .X ± 1.0°

CAMBRIDGE PRECISION MACHINING
7350 SW LANDMARK LANE STE 110
PORTLAND, OR 97224
info@cambridgemachine.com
503-624-1937

TITLE			
SIZE A	DWG NO Mr.Dont_Mill	REV	
SCALE	SHEET 1 OF 1		

2

1

A

A

